

Part Number: 011334000



FAST FANS

The ½ Aximax 2 brushless DC fan, like other vaneaxial fans, has both aerodynamic impeller blades and stationary guide vanes to enhance static pressure efficiency. These high speed fans achieve minimum (“½”) size with a shortened venturi configuration, unique inverted permanent magnet motor, and either internal or external drive electronics.

The venturi case and propeller are cast aluminum. Rotron’s unique inverted motor rotorprop impeller stainless steel shaft runs on two high-precision (ABEC 5), double-shielded, stainless steel ball bearings with an integral lubricant reservoir to give longer maintenance-free life. Brushless DC drive electronics circuitry is mounted in a disk attached to the case hub.

Contact AMETEK Rotron for specific ratings. Rotron rates life expectancy in hours L10 or MTBF at a given ambient temperature. This is the time at which 90%, for L10, and 50%, for MTBF, of an available test lot are still operating.

SPECIFICATIONS

Unit Description: ½AX2EXL 028ECDC S 3052SF

Locked Rotor (Amps): 1.6

Air Flow (CFM): 20.6

Unit Weight (lbs): 0.324

Pressure Shutoff (IWG): 1.20

Max Amb Temp (°C): 85

Line Voltage (DC): 28

Motor Series: 3052SF

Phase/Frequency: N/A

C Drawing Number: C011334000

Capacitor (uF): N/A

DBA at 3 feet: 68.25

Power (Watts): 7.8

Voltage Type: DC

Running Current (Amps): .25

ENVIROMENTAL SPECIFICATIONS

This fan can be designed to meet the following requirements of MIL-STD-810C

Altitude: Method 500.1, pr I

Rain: Method 506.1

Acceleration: Method 513.2

Fungus: Method 508.1

Vibration: Method 514.2

Humidity: Method 507.1, pr I, II, III

Shock: Method 516.2

Explos Atm: Method 511.1, pr I

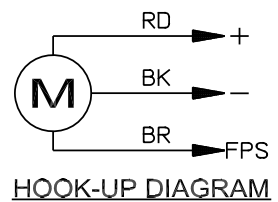
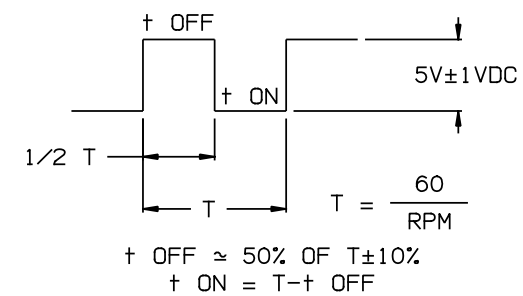
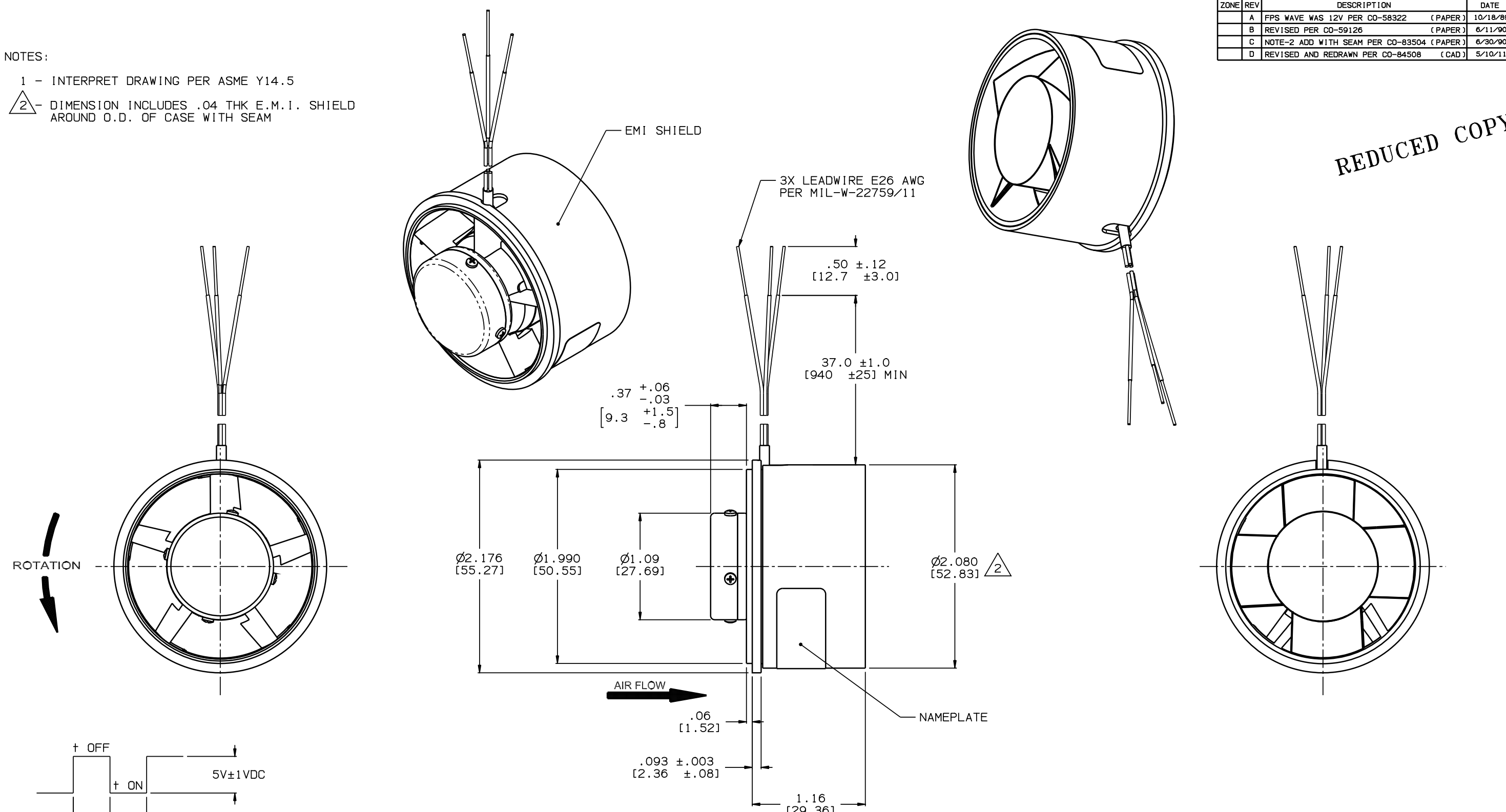
Salt Fog: Method 509.1

The listed environmental specifications are for reference only - please [Contact](#) our local sales representative to provide the current status and confirmation of compliance to your specification.

DWG. NO. C011334000		SH. 1	REV. D	1	
REVISIONS					
ZONE	REV	DESCRIPTION	DATE	APPROVED	
A		FPS WAVE WAS 12V PER CO-58322 (PAPER)	10/18/89	JODY	
B		REVISED PER CO-59126 (PAPER)	6/11/90	RUSHKOSKI	
C		NOTE-2 ADD WITH SEAM PER CO-83504 (PAPER)	6/30/90	MAGDY	
D		REVISED AND REDRAWN PER CO-84508 (CAD)	5/10/11	JODY	

NOTES:
 1 - INTERPRET DRAWING PER ASME Y14.5
 2 - DIMENSION INCLUDES .04 THK E.M.I. SHIELD AROUND O.D. OF CASE WITH SEAM

REDUCED COPY



NAMEPLATE DATA (NOM.)
 VOLTAGE 28 VDC
 CURRENT 0.25A
 SPEED 15,000 RPM
 MAX. AMB. 85°C

ROTRON PART NUMBER: 011334000			
INCH [MILLIMETER]		SPR-2534	
DECIMALS .xx ±.03 [0.8] ANGLES ±2°		APPROVALS DATE	
.xxx ±.010 [0.25]		DRAWN S. SERRANO 5/5/11	
PROJECTION		CHECKED J. ROSSITZ 5/10/11	
MRKTG D. NICOLATO		ENGR B. DELOZIER	
DO NOT SCALE DRAWING		SIZE [PAGE CODE] DWG. NO. C011334000 REV. D	
SCALE 2/1		SHEET 1 OF 1	
KEYCREATOR FILE SPEC C011334_D.ckd			

This drawing is the property of ROTRON Incorporated d/b/a AMETEK ROTRON., is proprietary and confidential in nature, and may not be disclosed to third parties without the written permission of ROTRON Incorporated.

HiQPdf Evaluation 09/08/2020

NOTES:
ESTABLISH NEW LAB REF. FAN
F3200-16401. THIS IS A HYBRID
REPLACEMENT UNIT. 32 VDC
S/N: I07453313

Date: 3-11-08	
Bench: N4P-10-3	
Flow: L <input type="checkbox"/> R <input type="checkbox"/>	
FREE FLOW	RPM 16863
	Line Amps 0.18
	Locked Amps ---
	Watts

MOTOR

Series	3052
Type	ECDC
Volts	32
Wave	DC
Phase	DC
Hertz	
MFD	

